

1

2

3

4

5

D

D

C

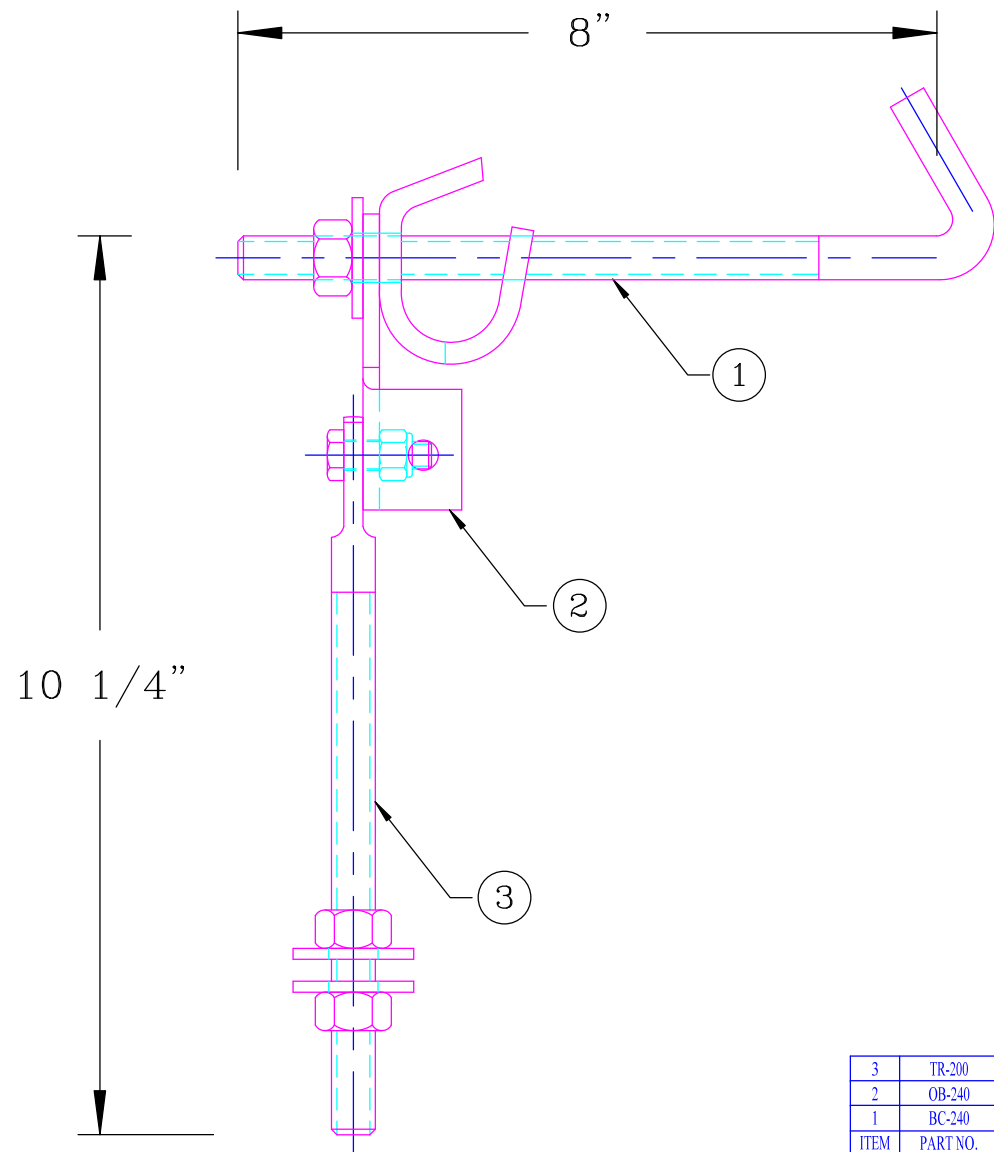
C

B

B

A

A



3	TR-200	THREADED ROD 6" LONG	1
2	OB-240	OFFSET BRACKET (for Beam Clamp)	1
1	BC-240	BEAM CLAMP	1
ITEM	PART NO.	DESCRIPTION	QUANTITY

BRIDGEVEYOR OVERHEAD SYSTEMS LTD

www.bridgeveyor.com	
DRAWN BY: R.G.	DRAWING NAME: BEAM CLAMP c/w THREADED ROD
DATE: JANUARY, 2003	PART NUMBER: BC-240
APPRD BY:	DRAWING NUMBER:
SCALE: NTS	REV:

A	02/06/03	INITIAL RELEASE	AB
REV	DATE	DESCRIPTION	REV'D BY
This document contains information proprietary to Bridgeveyor Systems and no part of this drawing shall be reproduced or disclosed to others or used for any purpose other than that for which it was furnished without prior written permission from Bridgeveyor.			

DRAWING FOR CONCEPT PURPOSES ONLY
DIMENSIONS MAY VARY

1

2

3

4

5