

1

2

3

4

5

D

D

C

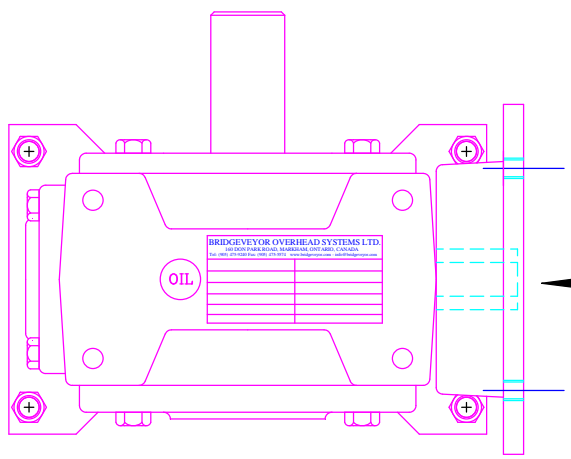
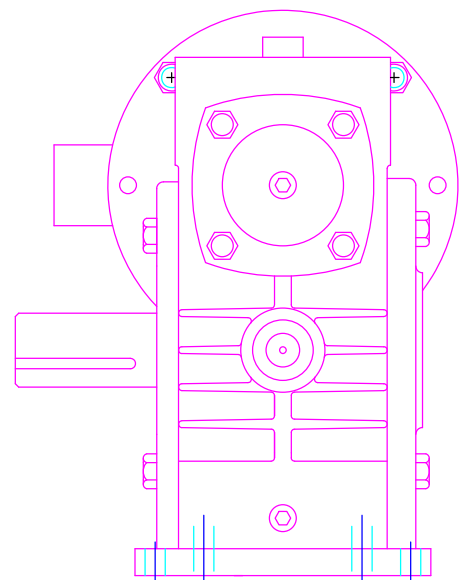
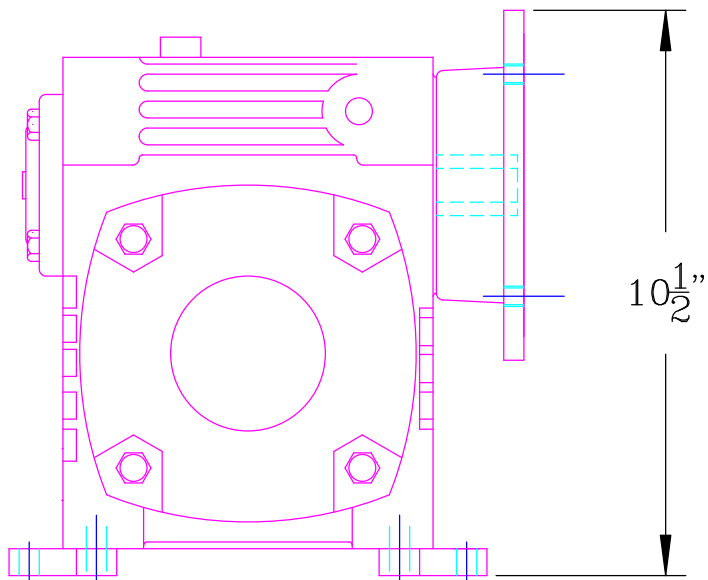
C

B

B

A

A



GEAR REDUCER INPUT SHAFT IS FOR 5/8" MOTOR OUTPUT SHAFT

ITEM	PART NO.	DESCRIPTION	QUANTITY
BRIDGEVEYOR OVERHEAD SYSTEMS LTD			
www.bridgeveyor.com			
DRAWN BY: R.G.		DRAWING NAME: GEAR REDUCER c/w MOUNTING FEET	
DATE: JANUARY, 2003		PART NUMBER: D-2000-8	
APPRD BY:		DRAWING NUMBER:	
SCALE: NTS		REV	

DRAWING FOR CONCEPT PURPOSES ONLY
DIMENSIONS MAY VARY

REV	DATE	DESCRIPTION	REV'D BY
A	02/06/03	INITIAL RELEASE	AB

This document contains information proprietary to Bridgeveyor Systems and no part of this drawing shall be reproduced or disclosed to others or used for any purpose other than that for which it was furnished without prior written permission from Bridgeveyor.

1

2

3

4

5