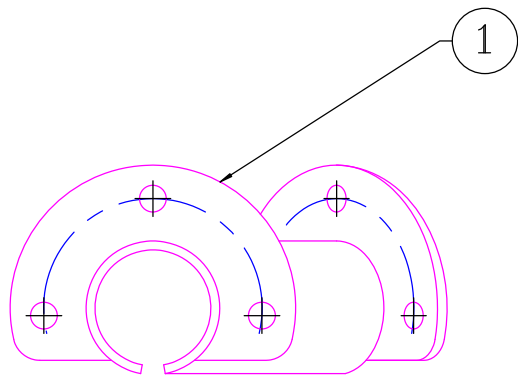


TOP VIEW



SIDE VIEW

1	TF-204	TRACK FLANGE	2
ITEM	PART NO.	DESCRIPTION	QUANTITY
BRIDGEVEYOR			
OVERHEAD SYSTEMS LTD			
www.bridgeveyor.com			
DRAWN BY	R.G.	DRAWING NAME:	9" RADIUS 45° HORIZONTAL CURVE
DATE	JANUARY, 2003	APPRD BY	
SCALE	NTS	PART NUMBER:	HC-105
		DRAWING NUMBER:	
			REV

A	02/06/03	INITIAL RELEASE	AB
REV	DATE	DESCRIPTION	REV'D BY
This document contains information proprietary to Bridgeveyor Systems and no part of this drawing shall be reproduced or disclosed to others or used for any purpose other than that for which it was furnished without prior written permission from Bridgeveyor.			

DRAWING FOR CONCEPT PURPOSES ONLY
DIMENSIONS MAY VARY