

1

2

3

4

5

D

D

C

C

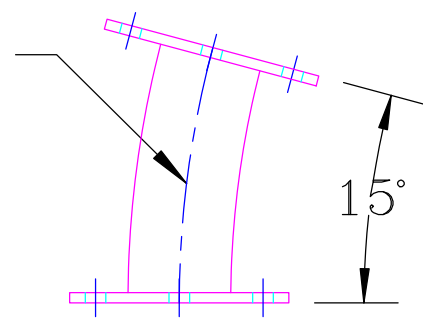
B

B

A

A

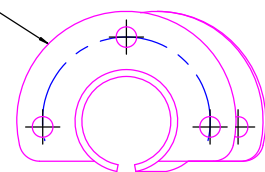
R18''



15°

TOP VIEW

1



SIDE VIEW

| 1 | TF-204 | TRACK FLANGE | 2 |
|------|----------|--------------|----------|
| ITEM | PART NO. | DESCRIPTION | QUANTITY |

BRIDGEVEYOR
OVERHEAD SYSTEMS LTD

www.bridgeveyor.com

DRAWING FOR CONCEPT PURPOSES ONLY
 DIMENSIONS MAY VARY

| A | 02/06/03 | INITIAL RELEASE | AB |
|--|----------|-----------------|----------|
| REV | DATE | DESCRIPTION | REV'D BY |
| This document contains information proprietary to Bridgeveyor Systems and no part of this drawing shall be reproduced or disclosed to others or used for any purpose other than that for which it was furnished without prior written permission from Bridgeveyor. | | | |

| | | | |
|----------|---------------|-----------------|---------------------------------|
| DRAWN BY | R.G. | DRAWING NAME: | 18" RADIUS 15° HORIZONTAL CURVE |
| DATE | JANUARY, 2003 | PART NUMBER: | HC-206 |
| APPRD BY | | DRAWING NUMBER: | |
| SCALE | NTS | REV | |

1

2

3

4

5