

1

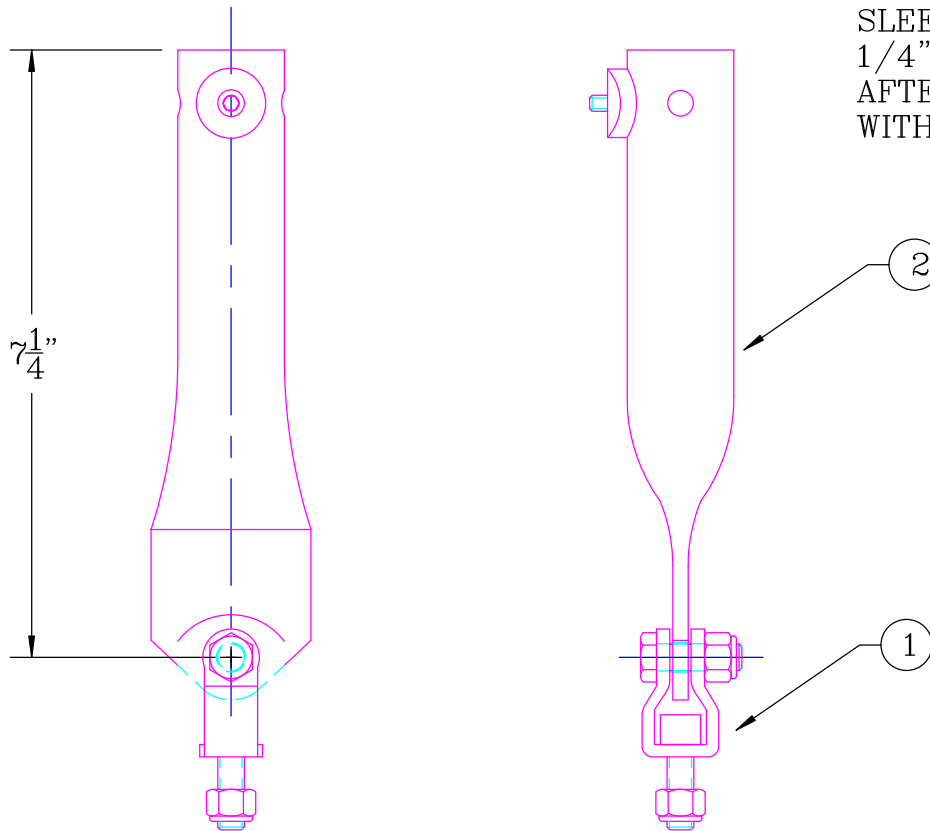
2

3

4

5

PLEASE NOTE:  
 RECEIVES STD. SCH.40,  
 $\phi 3/4$ " PIPE (1.05"O.D.)  
 SLEEVE MUST BE BOLTED WITH  
 1/4" BOLT OR TEK SCREWED  
 AFTER FINAL ADJUSTMENT  
 WITH SET SCREW.



2	SL-300	TRACK HANGER SLEEVE ~7" LONG	1
1	SB-350	SWAY BRACING CONNECTOR	1
ITEM	PART NO.	DESCRIPTION	QUANTITY

# BRIDGEVEYOR OVERHEAD SYSTEMS LTD

[www.bridgeveyor.com](http://www.bridgeveyor.com)

DRAWING FOR CONCEPT PURPOSES ONLY  
 DIMENSIONS MAY VARY

A	02/06/03	INITIAL RELEASE	AB
REV	DATE	DESCRIPTION	REV'D BY
This document contains information proprietary to Bridgeveyor Systems and no part of this drawing shall be reproduced or disclosed to others or used for any purpose other than that for which it was furnished without prior written permission from Bridgeveyor.			

DRAWN BY	R.G.	DRAWING NAME:	BRACING CONNECTOR WITH SLEEVE
DATE	JANUARY, 2003	PART NUMBER:	SB-550
APPR'D BY		DRAWING NUMBER:	
SCALE	NTS	REV	

1

2

3

4

5