

1 2 3 4 5

D

D

C

C

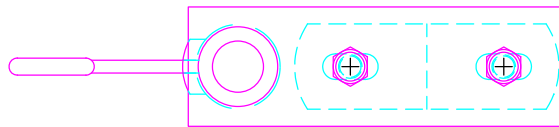
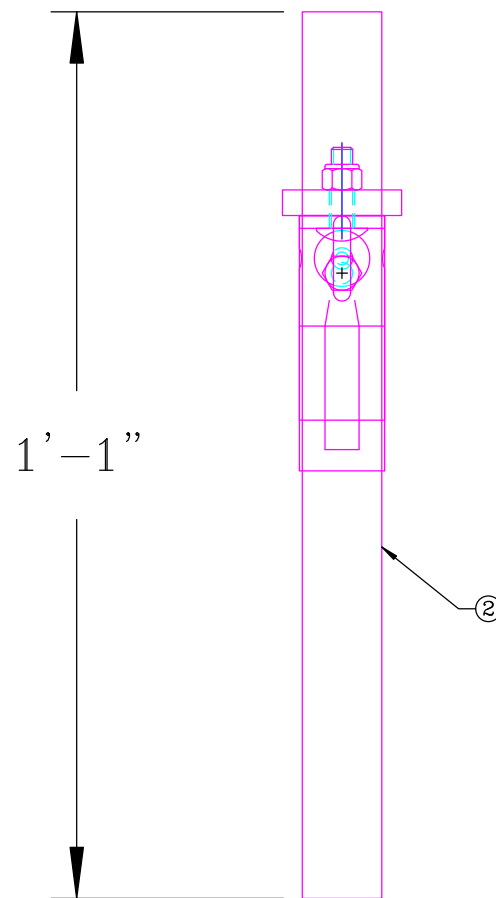
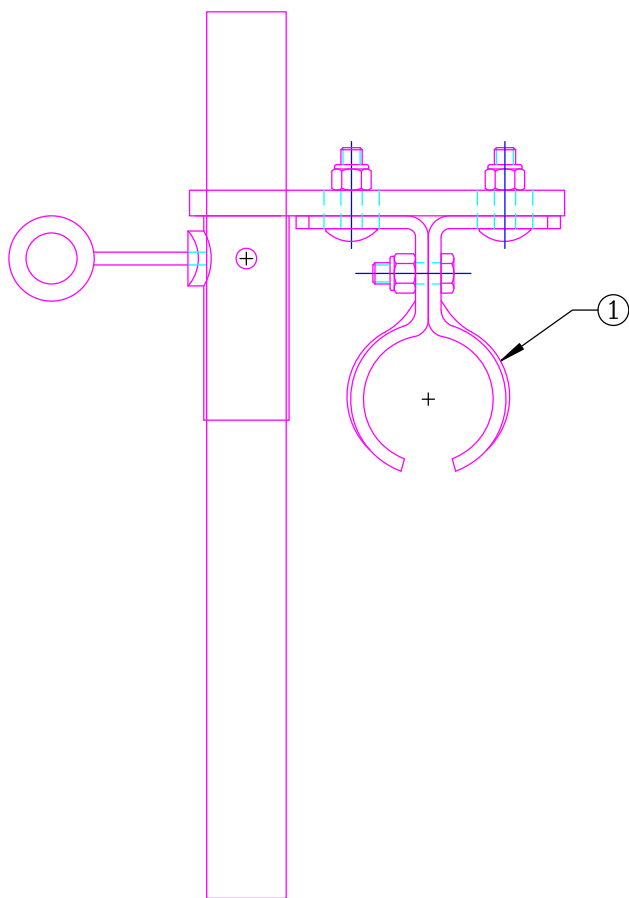
B

B

A

A

Adjustable height
to suit individual
application



2	TS-460	1" DIAMETER SUPPORT STEEL	1
1	TH-210	LOW PROFILE TRACK HANGER	1
ITEM	PART NO.	DESCRIPTION	QUANTITY

BRIDGEVEYOR OVERHEAD SYSTEMS LTD

www.bridgeveyor.com

DRAWING FOR CONCEPT PURPOSES ONLY
DIMENSIONS MAY VARY

A	02/06/03	INITIAL RELEASE	AB
REV	DATE	DESCRIPTION	REV'D BY

This document contains information proprietary to Bridgeveyor Systems and no part of this drawing shall be reproduced or disclosed to others or used for any purpose other than that for which it was furnished without prior written permission from Bridgeveyor.

DRAWN BY	R.G.	DRAWING NAME:	TURNING STATION FOR I-720	REV
DATE	JANUARY, 2003	PART NUMBER:	TD-710	DRAWING NUMBER:
APPR'D BY				
SCALE	NTS			

1 2 3 4 5