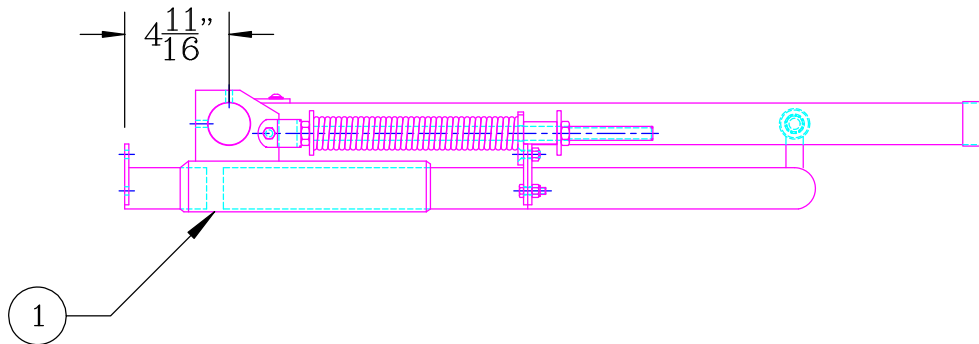
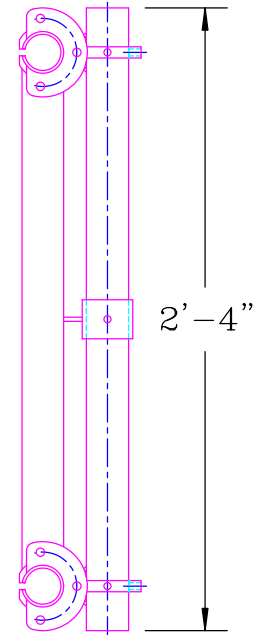


PLEASE NOTE:
SUPPORT TAKE-UP
ASSEMBLY FROM
RUNNERS. CURVE
MUST BE FREE
FLOATING.



2	HC-104	12" RADIUS 180° HORIZONTAL CURVE	1
1	TU-610	TAKE-UP EXPANSION UNIT	2
ITEM	PART NO.	DESCRIPTION	QUANTITY

BRIDGEVEYOR OVERHEAD SYSTEMS LTD

www.bridgeveyor.com

DRAWING FOR CONCEPT PURPOSES ONLY
DIMENSIONS MAY VARY

A	02/06/03	INITIAL RELEASE	AB
REV	DATE	DESCRIPTION	REV'D BY
This document contains information proprietary to Bridgeveyor Systems and no part of this drawing shall be reproduced or disclosed to others or used for any purpose other than that for which it was furnished without prior written permission from Bridgeveyor.			

DRAWN BY: R.G.	DRAWING NAME: 12" RADIUS TAKE-UP ASSEMBLY
DATE: JANUARY, 2003	PART NUMBER: TU-604
APPR'D BY:	DRAWING NUMBER:
SCALE: NTS	REV