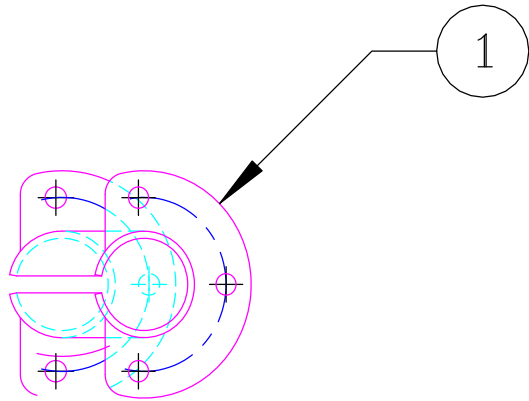
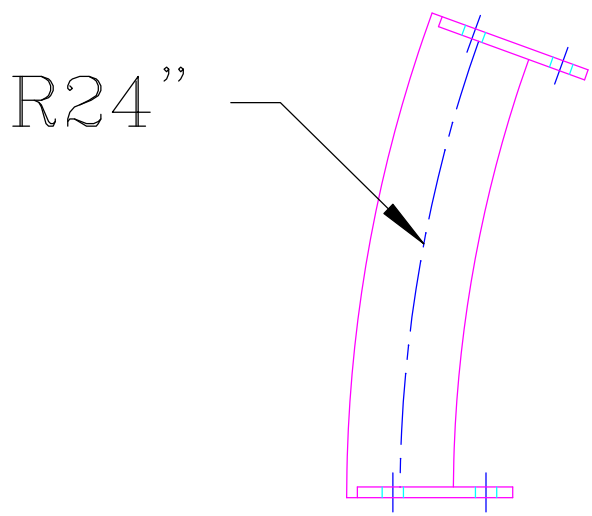


1 2 3 4 5

D  
C  
B  
A



|      |          |              |          |
|------|----------|--------------|----------|
| 1    | TF-204   | TRACK FLANGE | 2        |
| ITEM | PART NO. | DESCRIPTION  | QUANTITY |

**BRIDGEVEYOR**  
**OVERHEAD SYSTEMS LTD**

www.bridgeveyor.com

|  |          |                 |          |
|--|----------|-----------------|----------|
| A  | 02/06/03 | INITIAL RELEASE | AB       |
| REV  | DATE     | DESCRIPTION     | REV'D BY |
| This document contains information proprietary to Bridgeveyor Systems and no part of this drawing shall be reproduced or disclosed to others or used for any purpose other than that for which it was furnished without prior written permission from Bridgeveyor. |          |                 |          |

|           |               |                 |  |
|-----------|---------------|-----------------|--|
| DRAWN BY  | R.G.          | DRAWING NAME:   | 24" RADIUS 20° VERTICAL CURVE (OUTSIDE SLOT) |
| DATE      | JANUARY, 2003 | PART NUMBER:    | VC-307-B                                     |
| APPR'D BY |               | DRAWING NUMBER: |  |
| SCALE     | NTS           | REV             |  |

DRAWING FOR CONCEPT PURPOSES ONLY  
DIMENSIONS MAY VARY

1 2 3 4 5