

1

2

3

4

5

D

D

C

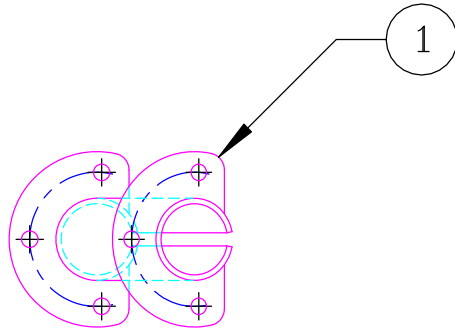
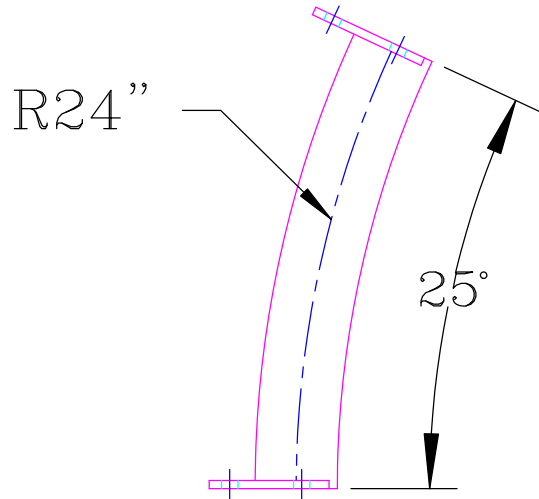
C

B

B

A

A



1	TF-204	TRACK FLANGE	2
ITEM	PART NO.	DESCRIPTION	QUANTITY

BRIDGEVEYOR
OVERHEAD SYSTEMS LTD

www.bridgeveyor.com

A	02/06/03	INITIAL RELEASE	AB
REV	DATE	DESCRIPTION	REV'D BY

This document contains information proprietary to Bridgeveyor Systems and no part of this drawing shall be reproduced or disclosed to others or used for any purpose other than that for which it was furnished without prior written permission from Bridgeveyor.

DRAWN BY	R.G.	DRAWING NAME:	24" RADIUS 25° VERTICAL CURVE (INSIDE SLOT)
DATE	JANUARY, 2003	PART NUMBER:	VC-308-A
APPR'D BY		DRAWING NUMBER:	
SCALE	NTS	REV	

DRAWING FOR CONCEPT PURPOSES ONLY
 DIMENSIONS MAY VARY

1

2

3

4

5